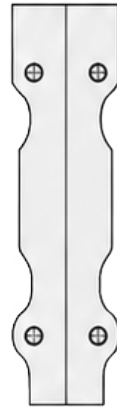


HARDWARE INCLUDED

(a.) Template (b.) 1/4" - 20 x 1 1/2" Phillips Pan Head Bolt (c.) 1/4" - 20 Lock Nut (d.) 1" Wide - Aluminum Face Plate



(b) 1/4" - 20 x 1 1/2"
Phillips Pan
Head Bolt



(c) Template



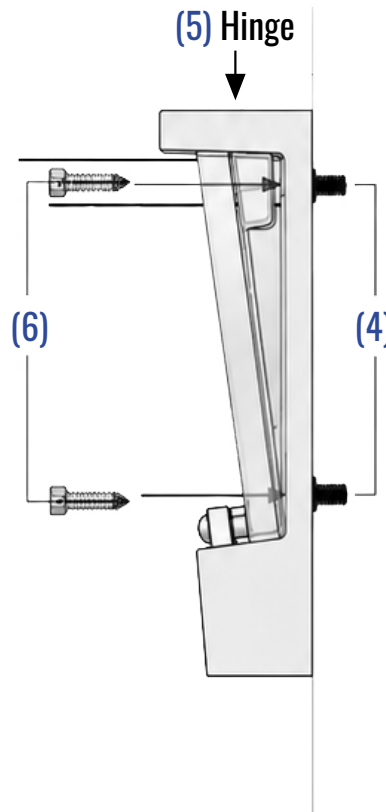
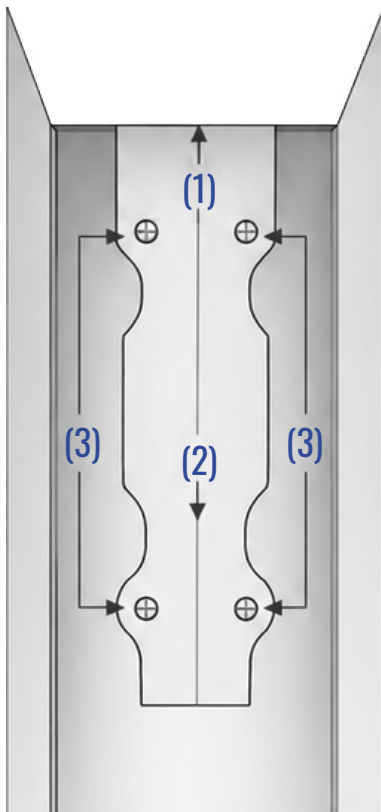
(c) 1/4" - 20
Lock Nut



(d) 1" Wide
Aluminum Face Plate

INSTALLATION TOOLS (NOT INCLUDED)

- Level
- 1/2" Drill
- 1/2" Drill Bit
- Tape Measure
- Pencil or Marker
- Socket or Crescent Wrench



DIAGRAMS #1 & #2

1. Place template into top corner of door jam.
2. Place level on center line of template and adjust template until plum (vertical).
3. Mark all four holes and drill each using a 1/2" drill bit.
4. Insert black rubber expansion nut. Into each drilled hole.
5. Place hinge into position.
6. Insert the 1/4" - 20 x 1 1/2" Philips pan head bolt into each expansion nut and finger tighten.

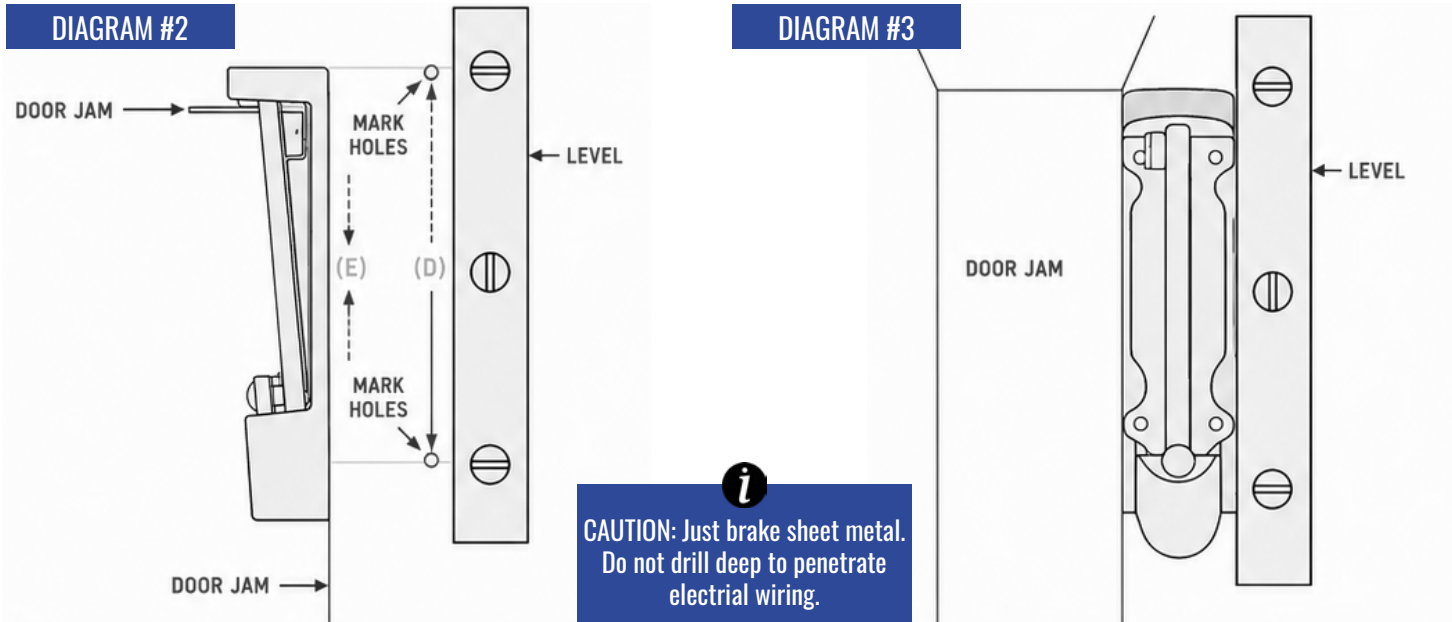


DIAGRAM #2: Place L Bracket against cooler wall so it is even with the top and side wall of door jam.

DIAGRAMS #2 & #3: Adjust L Bracket (back and side positions) until level. | Mark Holes

(D) Using 1/2" drill bit, drill outside holes. | **(E)** Using 5/32" drill bit, drill inside holes.

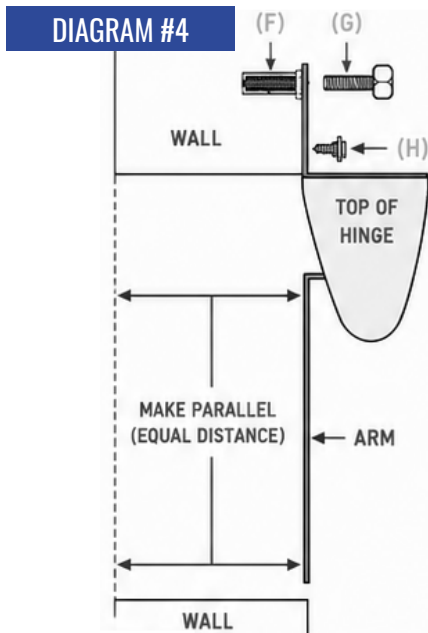
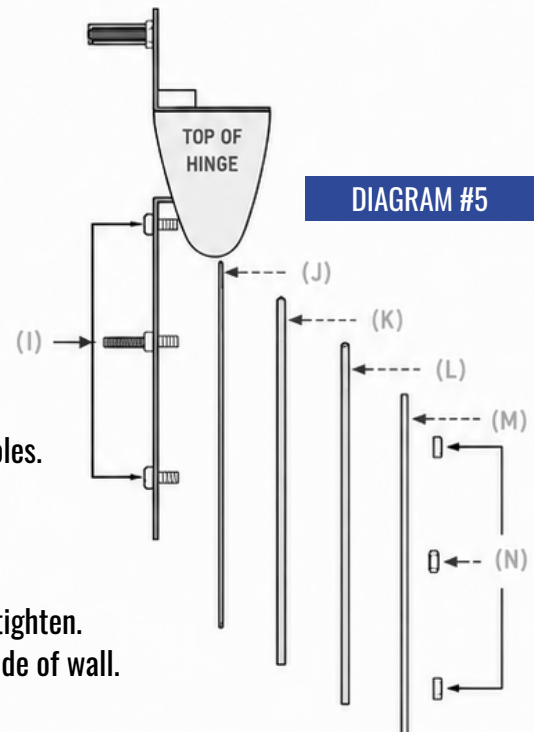


DIAGRAM #4:

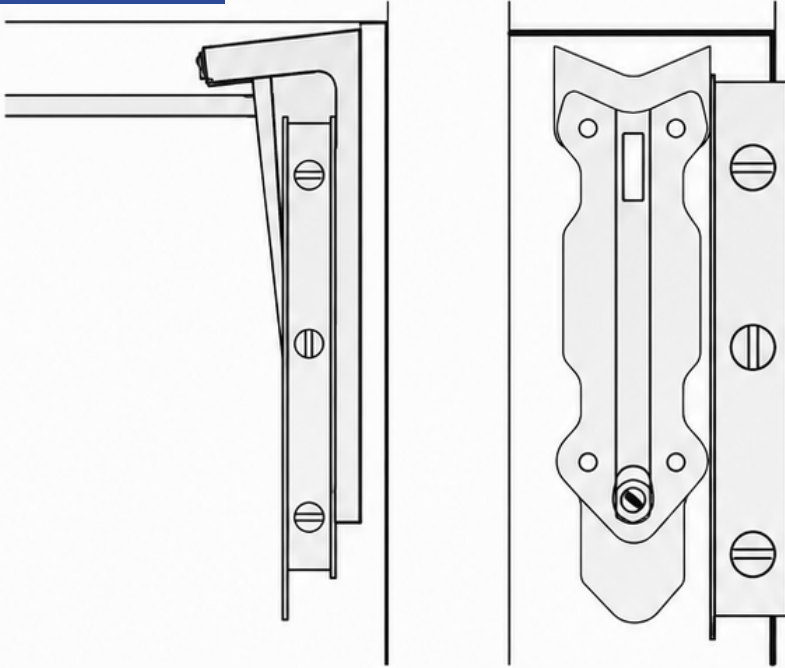
- I. Insert 1/4"-20x3/4" Hex Head Bolt into each hole of arm, from the back side (door jam) to the outside (hinge side).
- Attach parts to bolts on arm in the following order:
 - (J)** 1 1/4" black rubber strip, **(K)** poly vinyl door panel, **(L)** second 1 1/4" black rubber strip, **(M)** 1/8x1" aluminum face plate, **(N)** 1/4"-20 lock nuts.

DIAGRAM #4:

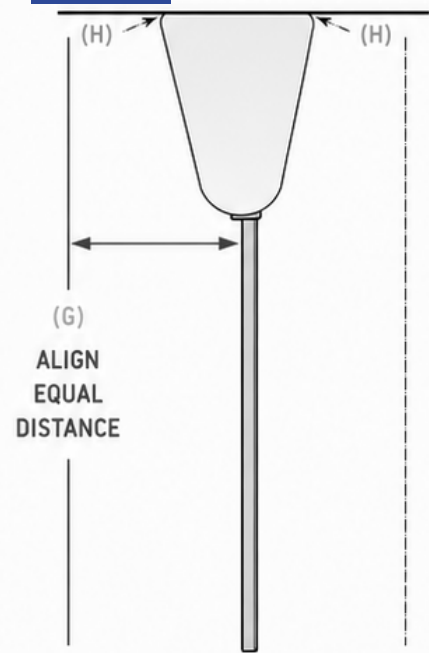
- F.** Insert black rubber expansion well nut into each of the outside drilled holes. Place L Bracket into position against wall.
- G.** Insert the 1/4"-20x1 1/2 Hex Head Bolt into each expansion well nut and finger tighten.
- H.** Insert #8-32x1-2" screw into each of the inside drilled holes and finger tighten.
 - Before securing permanently, align arm with walls so it is parallel to inside of wall. (Use shims between L Bracket and wall to make corrections, if needed.)
 - Tighten all bolts and screws.



DIAGRAMS #3 & #4



TOP VIEW



DIAGRAMS #3 & #4:

- Adjust hinge back and side positions until level.

DIAGRAMS #5

- G. Align arm so it is parallel to the wall.
- H. Use shims between hinge and wall to make corrections if needed.

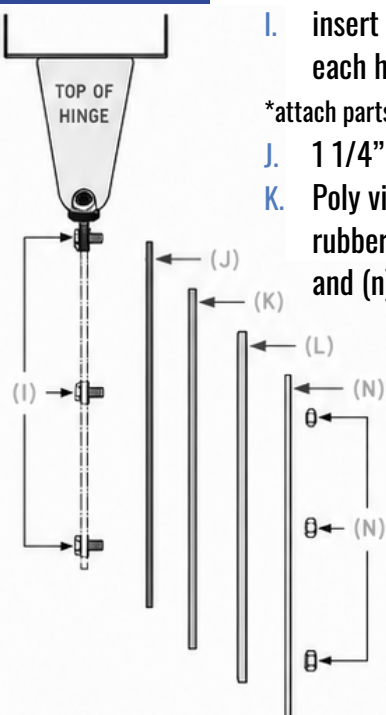
*Once you have completed all steps in diagrams #3, #4 & #5, finger tighten all four bolts.



CAUTION: Just brake sheet metal. Do not drill deep to penetrate electrical wiring.



DIAGRAM #6



- I. insert 1/4"-20 x 3/4" hex head bolt into each hole of arm.

*attach parts to bolts and arm in the following order:

- J. 1 1/4" black rubber strip,
- K. Poly vinyl door panel, (l) second 1 1/4" black rubber strip, (m) 1/8"x 1" aluminum face plate, and (n) 1/4"-20 lock nuts.

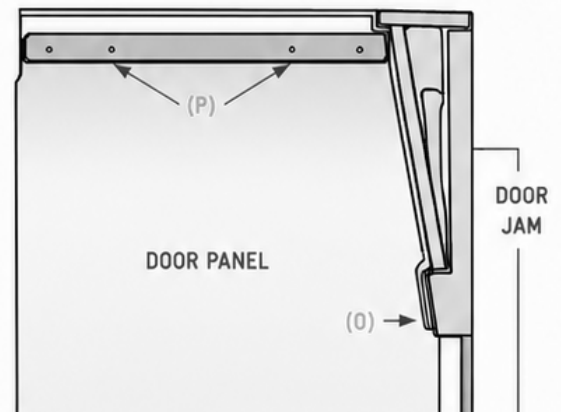


DIAGRAM #7: Before securing bolts on Arm, you must align door panel to door jam by doing the following:

- O. Lift door panel slightly and move it towards the door jam until it is barely touching and is parallel to jam.
- P. You may secure all nuts.

NOTE: If you have a double door unit, repeat all steps.